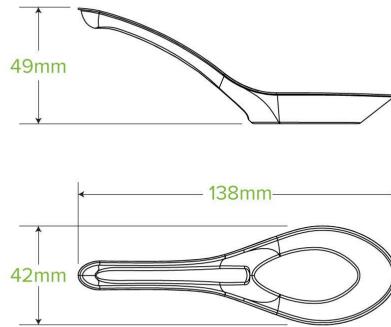


14cm BioCane Chinese Soup Spoon

B-14CS-PULP



Our BioCane Chinese soup spoon is made from rapidly renewable sugarcane pulp, a by-product of the sugar refining industry. The increased pulp thickness makes it suitable for hot soups and food. BioCane is certified home compostable.

Carton quantity: 1000	Sleeves per carton: 8	Units per sleeve: 125
Carton Size LxWxH (cm): 40.0 x 22.0 x 20.0	Carton gross weight (kg): 5.000000	Carton barcode: 19344062063312
Raw material: "Bagasse - White (80% sugarcane pulp, 20% wood pulp)"	Lining/coating: None	Window material: None
Printing Type: None	Inks: None	Dimensions top LxW (mm): 138x42
Dimensions base LxW (mm): 138x42	Product weight (g): 9.87	Thickness: 0.6mm
Use: Hot, Cold, Wet & Dry Products	Manufactured: China	Customise: Emboss
MOQ custom: MOQ apply see custom packaging	Mould fees: Yes - see custom packaging	Environmental production certified: ISO 14001
Quality product certified: ISO 9001	Factory food safety certified: BRC, HACCP	Corporate social accreditation: SA 8000, BSCI
Home compostable: Certified to AS5810 Australian standards, Certified to NF T51-800 European standards, TBC	Industrially compostable: Certified to AS4376 Australian Standards, Certified to EN13432 European Standard	Recyclable: Yes - In The Paper Recycling if Not Contaminated With Food